

This document contains proprietary information and such information may not be disclosed to others for any purposes, not used for sales/marketing/procurement purposes without written permission

REV	DESCRIPTION OF REVISION	Date	Approved
A	Initial Release	2017/1/17	2017/1/17

1. Electrical

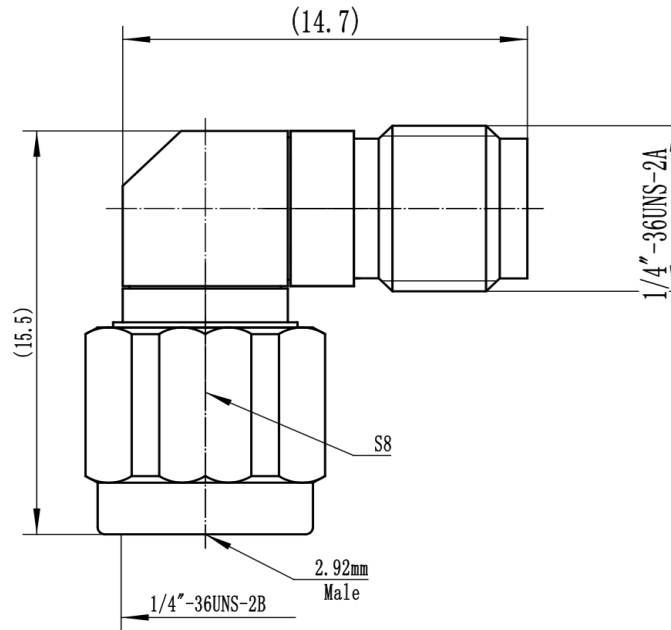
- 1.1 Frequency: 0-40G
- 1.2 Impedance: 50 Ohm
- 1.3 VSWR: 1.3

2. Environmental&Mechanical

- 2.1 Temperature range: - 65C°~85C°
- 2.2 RoHs Compliant: Yes

3. Material& Finish

- 3.1 Inner Contact: Brass, gold plated
- 3.2 Body: Passivated stainless steel
- 3.3 Insulators: PEI



Notes:

- 1. ALL SPECIFICATIONS ARE SUBJECT TO CHANGE NOTICE AT ANY TIME
- 2.CUSTOMER OUTLINE DRAWING FOR REFERENCE ONLY

Xi'an Reach-line Technology Co., Limited
Description: 2.92 male to female right angle adapter
Part No.:RL- 2.92-JWKG
DIMENSION IN MILLIMETERS(mm)