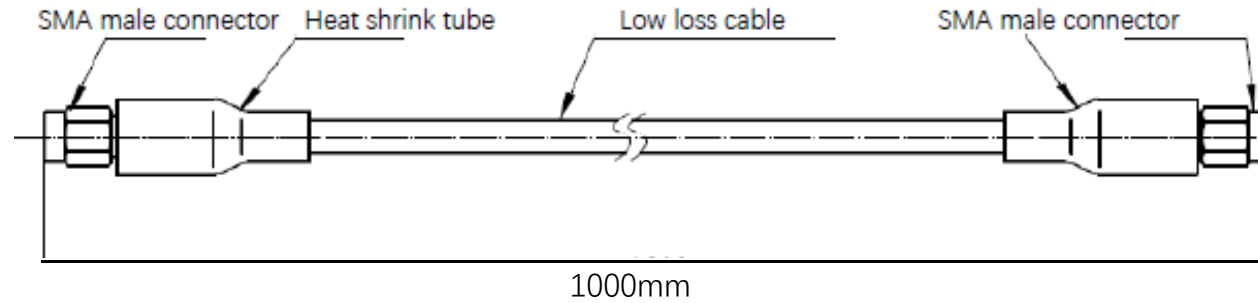


This document contains proprietary information and such information may not be disclosed to others for any purposes, not used for sales/marketing/procurement purposes without written permission

REV	DESCRIPTION OF REVISION	Date	Approved
A	Initial Release	2017/3/29	2017/3/29

- 1. Electrical
 - 1.1 Impedance: 50 Ohm
 - 1.2 Frequency: 26.5G
 - 1.3 VSWR: 1.3



- 2. Environmental&Mechanical
 - 2.1 Temperature range : - 55° ~ + 165°
 - 2.2 RoHs Compliant YES
 - 2.3 Durability:500 times

- 3. Material& Finish
 - 3.1 Cable: 3449 cable; Length:1000mm
 - 3.2 SMA male connector

Center conductor: beryllium bronze with gold plating
 Body: Stainless steel passivated
 Isolator: PTFE

Notes:

- 1. ALL SPECIFICATIONS ARE SUBJECT TO CHANGE NOTICE AT ANY TIME
- 2.CUSTOMER OUTLINE DRAWING FOR REFERENCE ONLY

Xi'an Reach-line Technology Co., Limited
Description: SMA male to SMA male cable assembly
Part No. : SMA-J3449G/SMA-J3449G L=1000mm
DIMENSION IN MILLIMETERS(mm)