

This document contains proprietary information and such information may not be disclosed to others for any purposes, not used for sales/marketing/procurement purposes without written permission

REV	DESCRIPTION OF REVISION	ECN NO.	BY	DATE	APPROVED
A	Initial Release	—	T.Shihua	1/8/14	1/8/14

1 Electrical

- 1.1 Impedance: 50Ω
- 1.2 Frequency: DC- 18G
- 1.3 VSWR: 1.25:1

2 Mechanical&Environmental

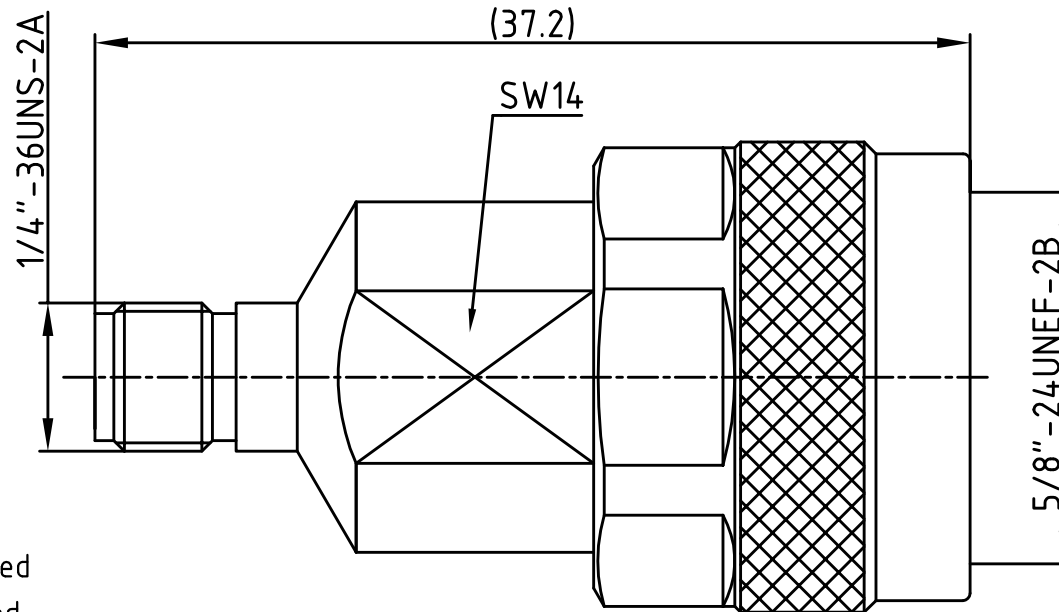
- 2.1 Temperature range -55°C ~+165°C
- 2.2 Durability(matings) >500
- 2.3 RoHs Compliant Yes

3 Material&Finish

- 3.1 Pin contact: Beryllium-Copper, gold plated
- 3.2 Body: Stainless Steel(SU303), Passivated
- 3.3 Insulators: PEI

4 Interface Standards

- 4.1 3.5 IEC60169
- 4.2 N MIL-STD-348A



Notes:

- 1.ALL SPECIFICATIONS ARE SUBJECT TO CHANGE NOTICE AT ANY TIME
- 2.CUSTOMER OUTLINE DRAWING FOR REFERENCE ONLY

DRAWN: T.Shihua 1/8/14	TITLE: Precision 3.5mm female to N male adapter	Xi'an Reach-line Technology Co., Ltd. DIMENSION IN MILLIMETERS (mm)			
ENGINEER: C.Tao 1/8/14					
APPROVED: W.Qiang 1/8/14		PART NO: RL-3.5/N-KJG	SIZE: A4	SCALE: N/A	SHEET: 1/1

TOLERANCES UNLESS OTHERWISE SPECIFIED	
X	±0.50
.X	±0.20
.XX	±0.10
ANGLES	±1°