

This document contains proprietary information and such information may not be disclosed to others for any purposes, not used for sales/marketing/procurement purposes without written permission

REV.	DESCRIPTION OF REVISION	Date	Approved
A	Initial Release	2024/5/7	2024/5/7

1. Electrical

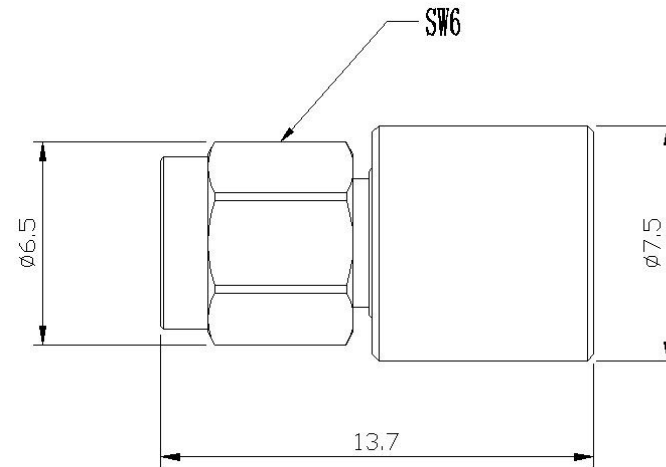
- 1.1 Frequency: 0-110G
- 1.2 Impedance: 50 Ohm
- 1.3 VSWR: 1.60
- 1.4 Power: 1W

2. Environmental&Mechanical

- 2.1 Temperature range: -55° ~ +165°
- 2.2 RoHs Compliant Yes
- 2.3 Durability:500 times

3. Material& Finish

- 3.1 Inner Contact: Beryllium bronze with gold-plated
- 3.2 Outer Contact: Stainless steel, passivated
- 3.3 Insulators: PEI



Notes:

- 1. ALL SPECIFICATIONS ARE SUBJECT TO CHANGE NOTICE AT ANY TIME
- 2.CUSTOMER OUTLINE DRAWING FOR REFERENCE ONLY

Xi'an Reach-line Technology Co., Limited
Description: 1.0mm male termination
Part No.: RLT1001110M
DIMENSION IN MILLIMETERS(mm)