

This document contains proprietary information and such information may not be disclosed to others for any purposes, not used for sales/marketing/procurement purposes without written permission

REV	DESCRIPTION OF REVISION	Date	Approved
A	Initial Release	2025/8/17	2025/8/17

1. Electrical

1.1 Frequency: 0-40G

1.2 Impedance: 50 Ohm

1.3 VSWR: 1.3

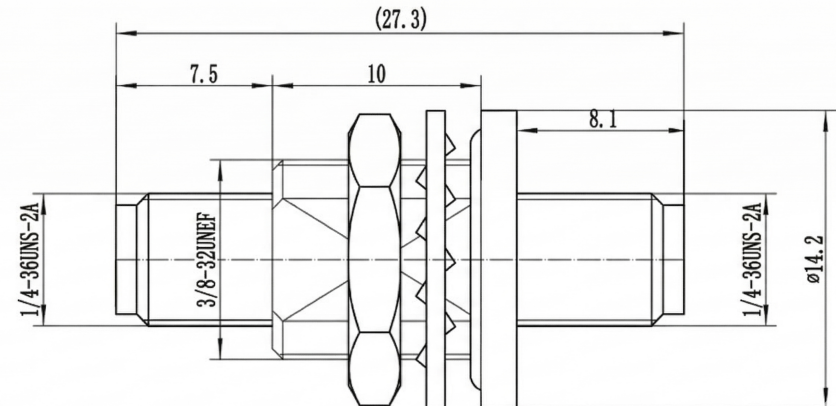
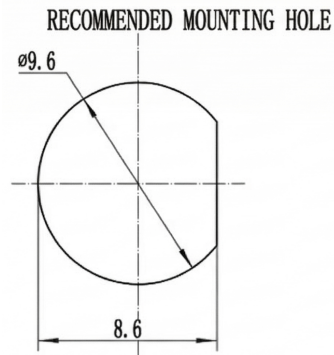
1.4 Hermeticity:  $\leq 1.01 \times 10^{-9} \text{ Pa} \cdot \text{m}^3/\text{s}$

2. Material & Finish

2.1 Inner Contact: Beryllium Copper, Gold Plated

2.2 Body: Brass, Gold Plated

2.3 Insulators: PEI & Glass



Notes:

1. ALL SPECIFICATIONS ARE SUBJECT TO CHANGE NOTICE AT ANY TIME

2. CUSTOMER OUTLINE DRAWING FOR REFERENCE ONLY

Xi'an Reach-line Technology Co., Limited
Description: Precision 2.92mm Female to Female Panel Mount Adapter
Part No.: RL-2.92-KYK-HS
DIMENSION IN MILLIMETERS(mm)